

Building an Epic-FHIR Adapter

Phillip Warner

Chief Architect/Sr. Software Engineer

KMM, OpenCDS

Sr. Software Engineer

OpenFurther



FHIRWorks

- Fall 2015
- Goals:
 - Integrate Bilirubin Application into Epic 2015
 - Integrate OpenCDS into BPA workflow



Interconnect

- Epic 2014
 - No FHIR Support
 - FHIR: Read-only 2015, RW 2016
- “Regular” Services
 - SOAP/REST
- MyChart/Mobile Services
 - REST
- Security
 - Options: None, HTTP Basic-Auth, Client Certs

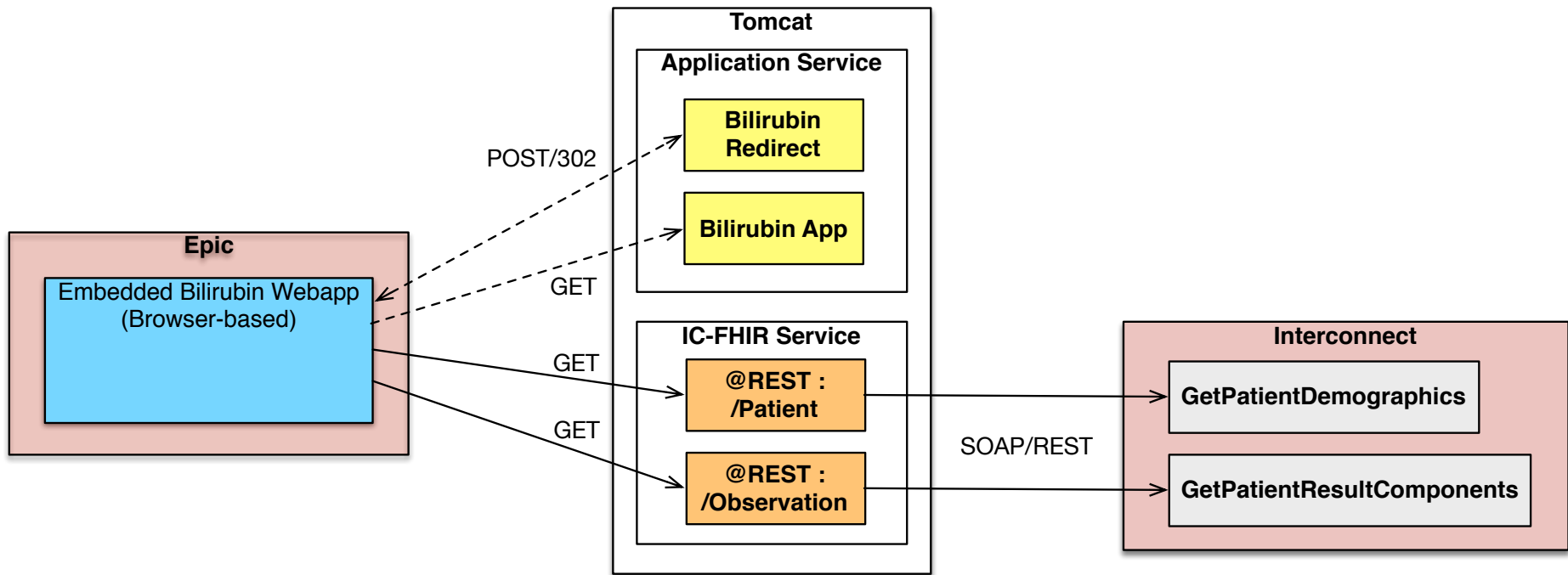
SMART on FHIR

- Bilirubin Resources:
 - Conformance (/metadata)
 - Patient (/Patient/{id})
 - Observation (/Observation?patientId={id}&code={code})

Epic + SMART on FHIR

- Reuse PowerChart integration
 - POST to a web service to obtain patient data
- Bilirubin needs:
 - GET
 - Produce a 302 from a POST
 - Copy POST data to query string
- Security
 - SSL/TLS
 - Needs Epic User

Epic + Bilirubin : Design



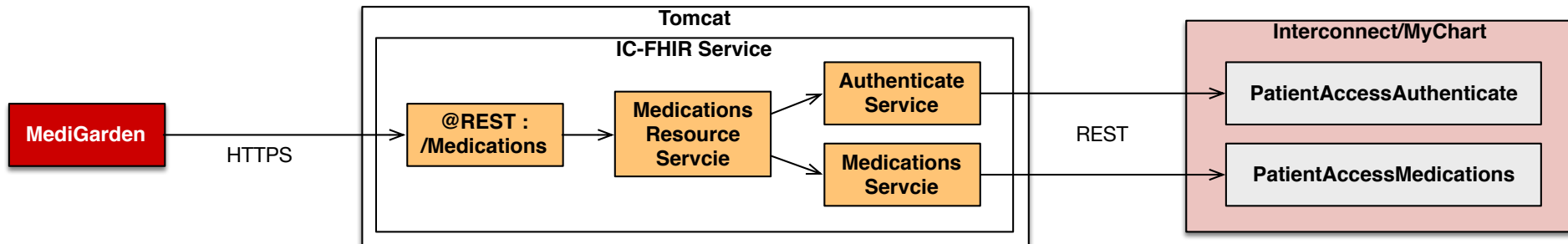
Epic + Bilirubin Issues

- Bilirubin requires specific LOINC code
 - 58941-6 → Bilirubin [Mass/Volume] In Skin
 - Test data included procedure
 - CPT 82248
 - Rudimentary Terminology Map
 - Map for any other potential selections

Epic + MediGarden

- MediGarden
 - UofU GApp Lab
 - Medication Management
- FHIR-based
 - Currently working with OpenEpic
 - Will work with Epic FHIR Services

Epic + MediGarden : Design



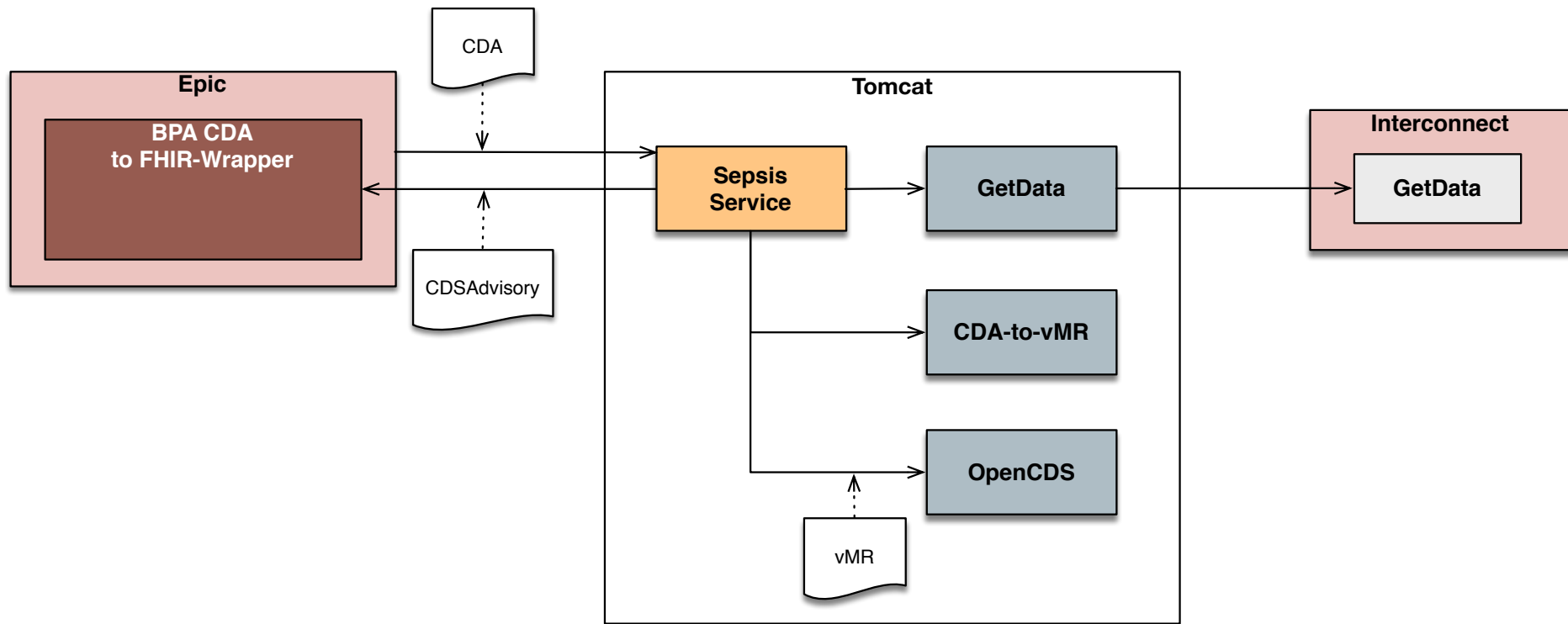
Epic + MediGarden Issues

- Authentication
 - Epic requires MyChart user/pass
 - Get Patient ID and MyChart ID
 - How to pass without exposing in URL?
 - SSL/TLS
 - HTTP Basic Authentication

Epic BPA + OpenCDS

- Sepsis Prediction
 - Predictive Analytics in OpenCDS
 - Reduce false positives
- Epic Best Practice Advisory (BPA)
 - BPA conditions met
 - Send CDA to a configured Web Service
 - (optional)
 - WS returns CDSAdvisory
 - Epic BPA Alert Suppression given conditions

Epic BPA + OpenCDS : Design



Summary

- Bilirubin App integration into Epic
 - Including Interconnect integration
- MediGarden FHIR Services
 - Based on Interconnect MyChart services
- Epic BPA integration with OpenCDS
 - Including Interconnect Integration
 - Currently CDA → vMR
 - Future will include CDA → FHIR